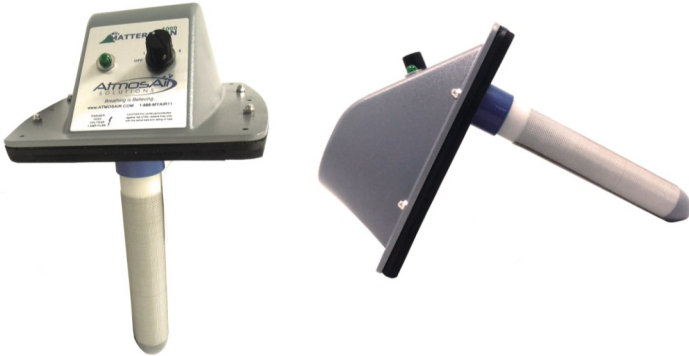


## AtmosAir Matterhorn 1000



### SPECIFICATIONS

Air Flow Capacity.....up to 2500 CFM\*  
 Pressure Drop.....minimum (see Fig. 1)  
 Housing Material.....Flame-rated, High Impact Strength ABS  
 Weight.....6 pounds  
 Maximum Operation Temperature.....200° F (60° C)

### ELECTRICAL

Voltage.....115 or 230 VAC  
 Frequency.....60 Hz  
 Power Consumption.....5 watts  
 Current Draw.....0.2-0.3 amps  
 Internal Fuse.....1.0 amp  
 Field Electrical Connection.....NEMA 15 Receptacle

### IONIZATION TUBE

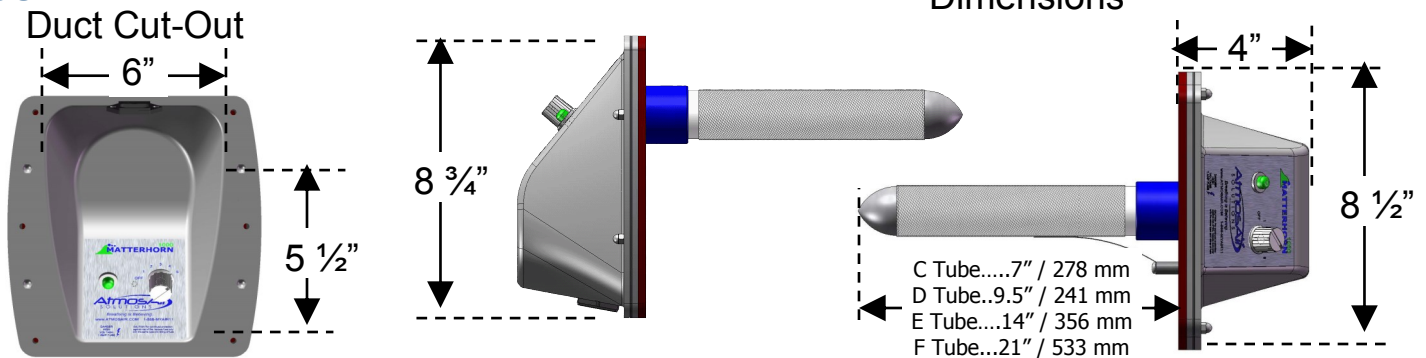
Material.....Multi-core Composite, Stainless Steel  
 Number.....One (1)  
 Size.....C (7") D (9.5") E (14") F (21")  
 Tube Life.....17,600 Hours\*  
 \*dependant on conditions and annual tube cleaning

**DIMENSIONS**.....see Figure 2

### APPROVALS

Underwriters Laboratories Inc. pending as plenum-rated per UL 1995, 867; file # 313742. Energy Star Certified.

### FIGURE 2



### APPLICATION

The Matterhorn 1000 ionization system is intended to be mounted in the supply duct or air handler of a heating, cooling, or ventilating system. The unit is intended to operate only when air flow is present, thus, power to the ionization unit should be interlocked with fan operation, or controlled via an air pressure switch. The size and number of ionization systems is dependant upon the airflow, size of the space, and severity of the pollution and odors. Ionization can be adjusted with a 5-step knob.

### OPTIONAL ACCESSORIES

Air Pressure Switch; Mounting Bracket; Timer; Remote Monitoring Panel

### FIGURE 1

