



MASON INDUSTRIES, Inc.

MERCER RUBBER Co.

350 Rabro Drive, Hauppauge, NY 11788
 Mason- 631/348-0282 • Info@Mason-Ind.com
 Mercer- 631/582-1524 • Info@Mercer-Rubber.com
 FAX 631/348-0279

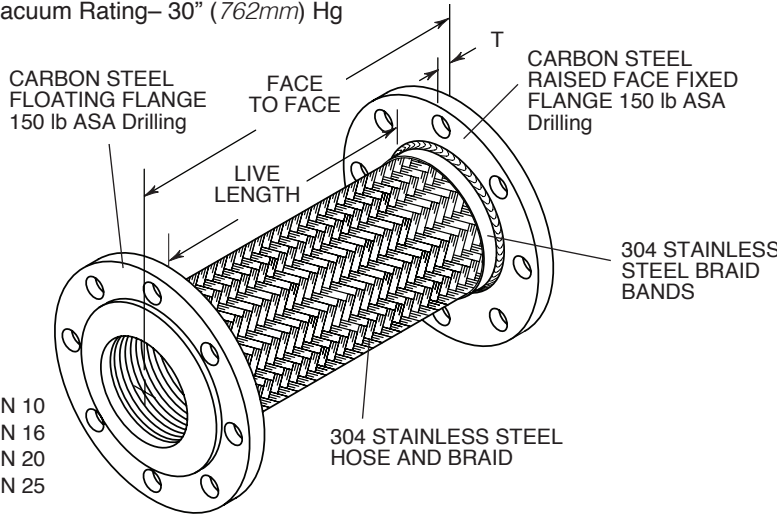


JOB NAME _____
 CUSTOMER _____
 CUSTOMER P.O. _____
 MASON M. _____
 DWG No. _____

FFL-UL

SS BRAIDED HOSE with
 CARBON STEEL FIXED
 & FLOATING FLANGES
 for SPRINKLER and
 FIRE PROTECTION
 SYSTEMS

Full Vacuum Rating— 30" (762mm) Hg



- DIN 10
- DIN 16
- DIN 20
- DIN 25

CARBON STEEL PLATE FLANGE THICKNESS

Pipe Size (in)	Pipe Size (mm)	Flange Thickness T (in)	Flange Thickness T (mm)
2 thru 4	50 thru 100	5/8	16
5 thru 6	125 thru 150	3/4	19
8	200	1	25

Conforms to UL and NFPA Approved Temperature Range.



FLEXIBLE JOINT FITTINGS
 3VX9



NFPA 13

These flexible joint fitting assemblies are UL Listed under File EX15750 and are intended for installation in accordance with the Mason installation instructions and the applicable requirements in NFPA 13.

Mason Industries ensures for all UL Listed Products:

- All hose dimensions meet our specifications and dimensions as tabulated.
- Each assembly is pressure tested using Nitrogen Gas for 1 minute at 1 1/2 times the rated working pressure with no leaks.
- A metal tag is attached which shows the UL Mark and Identification Number, our name, the location (US), and the Part Number with the approval date (month and year).
- Two product stickers which show the UL Mark and Identification Number are on each shipping crate.

FFL-UL DIMENSIONS AND PRESSURE RATINGS (American Units)

Type	Pipe Size & Face to Face (in)	Live Length (in)	Corrugations per foot	Maximum Permanent Lateral Offset (in)	Rated Pressure @70°F (psi)
FFL-UL	2 X 12	93/4	58	11/8	175
FFL-UL	2 X 18	153/4	58	21/2	175
FFL-UL	2 X 24	213/4	58	5	175
FFL-UL	2 1/2 X 12	9	48	1	175
FFL-UL	2 1/2 X 18	15	48	2 1/4	175
FFL-UL	2 1/2 X 24	21	48	4 3/4	175
FFL-UL	3 X 12	9	46	7/8	175
FFL-UL	3 X 18	15	46	2	175
FFL-UL	3 X 24	21	46	4	175
FFL-UL	3 X 36	33	46	8	175
FFL-UL	4 X 12	9	32	3/4	175
FFL-UL	4 X 18	15	32	1 1/2	175
FFL-UL	4 X 24	21	32	3 1/2	175
FFL-UL	4 X 36	33	32	7	175
FFL-UL	5 X 18	14 3/4	29	1 1/4	175
FFL-UL	5 X 24	20 3/4	29	2 1/4	175
FFL-UL	5 X 36	32 3/4	29	5 1/2	175
FFL-UL	6 X 18	14 3/4	25	1	175
FFL-UL	6 X 24	20 3/4	25	2	175
FFL-UL	6 X 36	32 3/4	25	5	175
FFL-UL	8 X 18	14 1/2	23	7/8	175
FFL-UL	8 X 24	20 1/2	23	1 1/2	175
FFL-UL	8 X 36	32 1/2	23	4	175

FFL-UL DIMENSIONS AND PRESSURE RATINGS (Metric Units)

Type	Pipe Size & Face to Face (mm)	Live Length (mm)	Corrugations per meter	Maximum Permanent Lateral Offset (mm)	Rated Pressure @21°C (kg/cm²)
FFL-UL	50 X 305	248	190	29	12
FFL-UL	50 X 457	400	190	64	12
FFL-UL	50 X 610	552	190	127	12
FFL-UL	65 X 305	229	157	25	12
FFL-UL	65 X 457	381	157	57	12
FFL-UL	65 X 610	533	157	121	12
FFL-UL	80 X 305	229	151	22	12
FFL-UL	80 X 457	381	151	51	12
FFL-UL	80 X 610	533	151	102	12
FFL-UL	80 X 914	838	151	203	12
FFL-UL	100 X 305	229	105	19	12
FFL-UL	100 X 457	381	105	38	12
FFL-UL	100 X 610	533	105	89	12
FFL-UL	100 X 914	838	105	178	12
FFL-UL	125 X 457	375	95	32	12
FFL-UL	125 X 610	527	95	57	12
FFL-UL	125 X 914	832	95	140	12
FFL-UL	150 X 457	375	82	25	12
FFL-UL	150 X 610	527	82	51	12
FFL-UL	150 X 914	832	82	127	12
FFL-UL	200 X 457	368	75	22	12
FFL-UL	200 X 610	521	75	32	12
FFL-UL	200 X 914	826	75	102	12

Face to Face Tolerance: minus 1% plus 3%. Minimum Burst is four times the Rated Pressure. Safety factor of 4.
 Lateral Offset one side of centerline and normal machinery vibration. If intermittent in both directions, reduce by 50%.

QTY	SIZE	TAG

QTY	SIZE	TAG