



MASON INDUSTRIES, Inc.

MERCER RUBBER Co.

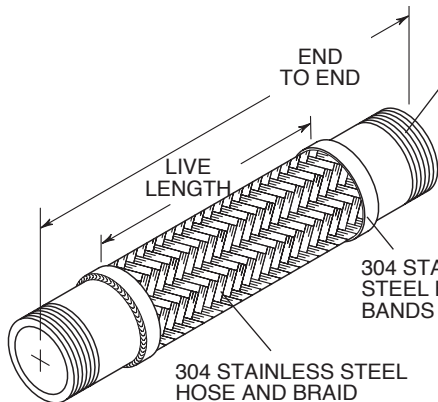
350 Rabro Drive, Hauppauge, NY 11788
 Mason- 631/348-0282 • Info@Mason-Ind.com
 Mercer- 631/582-1524 • Info@Mercer-Rubber.com
 FAX 631/348-0279



JOB NAME _____
 CUSTOMER _____
 CUSTOMER P.O. _____
 MASON M. _____
 DWG No. _____

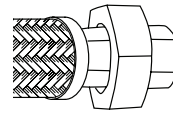
CSAMN

**SS BRAIDED
 HOSE with
 CARBON STEEL
 THREADED
 NIPPLES**



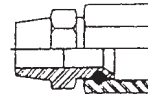
CARBON STEEL
 SCHEDULE 40
 NPT NIPPLES
 or as checked below
 CSAFU- Fe. NPT Unions
 CSAFS- Fe. Swivels
 CSAMNFU- Nipple x Fe. Union
 CSAMNFS- Nipple x Fe. Swivel

FU- Female NPT Union



These assemblies have been "CSA International" approved for use on gas pipelines. "CSA International" is the current certification agency for gas industry products, assuming the authority formerly associated with the American Gas Association (AGA).

FS- Female JIC/SAE Flared Swivel



Our Certification Report is #230720-1764990. This Certification meets all requirements of ANSI/UL #536 2003 Standards for Flexible Metal Hose.

OPTIONAL FITTINGS MATERIAL
 as checked below
 Stainless Steel

CSAMN DIMENSIONS AND PRESSURE RATINGS (American Units)

Pipe Size (in)	End to End (in)	Live Length (in)	Corrugations per foot	Maximum Permanent Lateral Offset (in)	Rated Pressure @70°F (psi)	Min Pressure Burst (psi)	Safety Factor
1/2	12	81/8	112	11/4	175	4300	25
1/2	18	141/8	112	21/2	175	4300	25
1/2	24	201/8	112	31/2	175	4300	25
1/2	36	321/8	112	16	175	4300	25
1/2	48	441/8	112	32	175	4300	25
3/4	12	81/8	90	1	175	3168	18
3/4	18	141/8	90	21/4	175	3168	18
3/4	24	201/8	90	31/4	175	3168	18
3/4	36	321/8	90	14	175	3168	18
3/4	48	441/8	90	28	175	3168	18
1	12	75/8	56	3/4	175	3132	18
1	18	135/8	56	2	175	3132	18
1	24	195/8	56	3	175	3132	18
1	36	315/8	56	11	175	3132	18
1	48	435/8	56	22	175	3132	18
1 1/4	12	71/8	52	5/8	175	2656	15
1 1/4	18	131/8	52	13/4	175	2656	15
1 1/4	24	191/8	52	23/4	175	2656	15
1 1/4	36	311/8	52	10	175	2656	15
1 1/4	48	431/8	52	22	175	2656	15
1 1/2	12	71/8	46	1/2	175	2284	13
1 1/2	18	131/8	46	11/2	175	2284	13
1 1/2	24	191/8	46	21/2	175	2284	13
1 1/2	36	311/8	46	9	175	2284	13
1 1/2	48	431/8	46	18	175	2284	13
2	12	63/4	67	1/4	175	2120	12
2	18	123/4	67	13/8	175	2120	12
2	24	183/4	67	23/8	175	2120	12
2	36	303/4	67	8	175	2120	12
2	48	423/4	67	16	175	2120	12
2 1/2	18	11	55	11/4	175	1724	10
2 1/2	24	17	55	2	175	1724	10
2 1/2	36	29	55	7	175	1724	10
2 1/2	48	41	55	14	175	1724	10
3	18	11	29	1	175	1564	9
3	24	17	29	13/4	175	1564	9
3	36	29	29	6	175	1564	9
3	48	41	29	12	175	1564	9
4	18	11	28	1/2	175	1160	7
4	24	17	28	3/4	175	1160	7
4	36	29	28	5	175	1160	7
4	48	41	28	10	175	1160	7

CSAMN DIMENSIONS AND PRESSURE RATINGS (Metric Units)

Pipe Size (mm)	End to End (mm)	Live Length (mm)	Corrugations per meter	Maximum Permanent Lateral Offset (mm)	Rated Pressure @21°C (kg/cm²)	Min Pressure Burst (kg/cm²)	Safety Factor
15	305	207	367	32	12	302	25
15	457	359	367	63	12	302	25
15	610	512	367	88	12	302	25
15	914	816	367	406	12	302	25
15	1219	1121	367	813	12	302	25
20	305	207	295	25	12	223	18
20	457	359	295	57	12	223	18
20	610	512	295	83	12	223	18
20	914	816	295	356	12	223	18
20	1219	1121	295	711	12	223	18
25	305	194	184	19	12	220	18
25	457	347	184	50	12	220	18
25	610	499	184	75	12	220	18
25	914	804	184	279	12	220	18
25	1219	1108	184	559	12	220	18
32	305	183	171	16	12	186	15
32	457	335	171	44	12	186	15
32	610	488	171	70	12	186	15
32	914	792	171	254	12	186	15
32	1219	1095	171	559	12	186	15
40	305	183	151	13	12	160	13
40	457	335	151	38	12	160	13
40	610	488	151	63	12	160	13
40	914	792	151	229	12	160	13
40	1219	1095	151	457	12	160	13
50	305	173	220	6	12	149	12
50	457	325	220	35	12	149	12
50	610	478	220	60	12	149	12
50	914	782	220	203	12	149	12
50	1219	1086	220	406	12	149	12
65	457	279	180	32	12	121	10
65	610	432	180	50	12	121	10
65	914	737	180	178	12	121	10
65	1219	1041	180	356	12	121	10
80	457	279	95	25	12	109	9
80	610	432	95	44	12	109	9
80	914	737	95	152	12	109	9
80	1219	1041	95	305	12	109	9
100	457	279	92	13	12	81	7
100	610	432	92	19	12	81	7
100	914	737	92	127	12	81	7
100	1219	1041	92	254	12	81	7

End to End Tolerance: minus 1% plus 3%. Lateral Offset one side of centerline and normal machinery vibration. If intermittent in both directions, reduce by 50%.

QTY	SIZE	TAG

QTY	SIZE	TAG