



MASON INDUSTRIES, Inc.

Manufacturers of Vibration Control Products

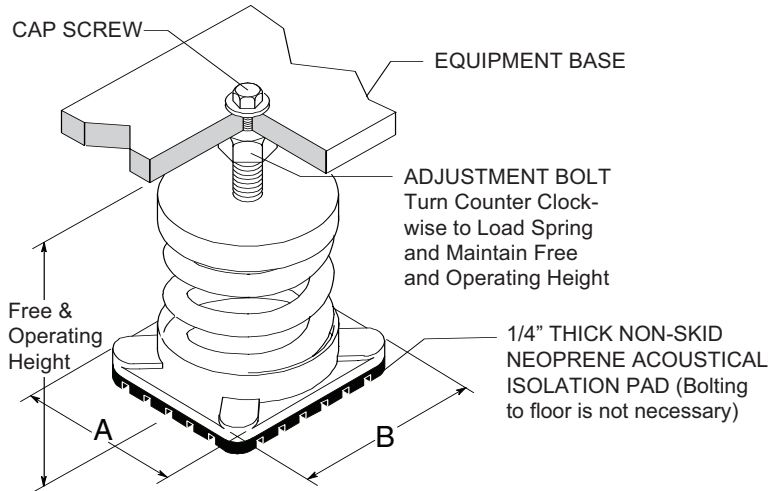
350 Rabro Drive
Hauppauge, NY 11788
631/348-0282
FAX 631/348-0279
Info@Mason-Ind.com

2101 W. Crescent Ave., Suite D
Anaheim, CA 92801
714/535-2727
FAX 714/535-5738
Info@MasonAnaheim.com
www.Mason-Ind.com

JOB NAME _____
CUSTOMER _____
CUSTOMER P.O. _____
MASON M. _____
DWG No. _____

SLF

**2" 50mm
Deflection
100 Series
Spring Mounts**



Cap Screw secures Height Saving Bracket (or Equipment Base) to Tapped Concentric Hole in Mounting Adjustment Bolt.

All springs have additional travel to solid equal to 50% of the rated deflection.

Solid Spring Height = Free Height minus 1.5 times Rated Deflection.

OD/OH = Ration of Spring Outside Diameter to Operating Height
= 0.82 - 1.15

Holders for mounts SLF-101 thru SLF-117 are castings. Holders for mounts SLF-118 are steel.

TYPE SLF LOAD RATINGS and DIMENSIONS (inches mm)

| Size | Rated Capacity (lbs) (kg) | Rated Defl. (in) (mm) | Mount Constant (lbs/in)(kg/mm) | Spring Color/Stripe | Spring Only | | Free & Oper Ht | A | B | Adjustment Bolt AB | Locking Cap Screw CS |
|---------|---------------------------|-----------------------|--------------------------------|---------------------|------------------|-------------------|-------------------|-------------------|-------------------|----------------------------|----------------------|
| | | | | | Spring OD | Free Height | | | | | |
| SLF-101 | 125 57 | 2.50 64 | 50 0.89 | Purple | 33/4 95 | 53/4 146 | | | | | |
| SLF-102 | 200 91 | 2.50 64 | 80 1.42 | Brown | 33/4 95 | 53/4 146 | | | | | |
| SLF-103 | 310 141 | 2.50 64 | 125 2.20 | Pink | 33/4 95 | 53/4 146 | | | | | |
| SLF-104 | 500 227 | 2.50 64 | 200 3.55 | Green | 33/4 95 | 53/4 146 | 7 1/4 184 | 4 1/4 108 | 4 3/4 120 | 7/8x53/4 x 146 | 1/2x11/4 x 34 |
| SLF-105 | 740 336 | 2.40 61 | 310 5.51 | Red | 33/4 95 | 53/4 146 | | | | | |
| SLF-106 | 1050 476 | 2.10 53 | 500 8.98 | White | 33/4 95 | 57/8 149 | | | | | |
| SLF-107 | 1400 635 | 2.00 51 | 700 12.45 | Blue | 33/4 95 | 57/8 149 | | | | | |
| SLF-108 | 1660 753 | 2.05 52 | 810 14.48 | Silver | 4 1/2 114 | 6 3/4 171 | 8 3/8 213 | 5 127 | 5 1/4 133 | | |
| SLF-109 | 2250 1021 | 2.00 51 | 1125 20.02 | Orange | 4 1/2 114 | 7 1/2 191 | 9 229 | 5 127 | 5 1/4 133 | 7/8x53/4 x 146 | 1/2x11/4 x 34 |
| SLF-110 | 3000 1361 | 2.00 51 | 1500 26.69 | Gray | 5 127 | 7 1/2 191 | 9 229 | 5 1/2 140 | 6 1/2 165 | | |
| SLF-111 | 4000 1814 | 2.00 51 | 2000 35.57 | Tan | 5 127 | 7 1/2 191 | 9 229 | 5 1/2 140 | 6 1/2 165 | | |
| SLF-112 | 5300 2404 | 2.00 51 | 2665 47.14 | Black | 5 1/2 140 | 8 1/2 216 | 10 1/8 257 | 6 152 | 7 178 | | |
| SLF-113 | 7100 3221 | 2.00 51 | 3550 63.16 | Yellow | 6 152 | 8 3/4 222 | 10 1/2 267 | 6 5/8 168 | 7 1/2 191 | 1 x 6 x 152 | 1/2x11/4 x 34 |
| SLF-114 | 9300 4218 | 2.00 51 | 4650 82.71 | Blue/Orng | 6 3/4 171 | 10 254 | 12 305 | 7 1/2 191 | 7 1/2 191 | | |
| SLF-115 | 12600 5715 | 2.00 51 | 6300 112.06 | Blue/Red | 6 3/4 171 | 10 254 | 12 305 | 7 1/2 191 | 7 1/2 191 | 1 1/4x6 5/8x11/2x38 | |
| SLF-116 | 16800 7620 | 2.00 51 | 8400 149.41 | Blue/White | 7 3/4 197 | 10 1/8 257 | 13 330 | 8 1/2 216 | 8 1/2 216 | 1 1/2 x 8 x 203 | 3/4x2 x 51 |
| SLF-117 | 28500 12927 | 2.55 65 | 11175 198.88 | Blue/Silver | 8 3/4 222 | 13 1/8 333 | 16 406 | 9 1/2 241 | 9 1/2 241 | | |
| SLF-118 | 40000 18144 | 2.10 53 | 19000 342.34 | Blue/Gray | 9 3/8 238 | 13 1/8 333 | 16 406 | 10 1/2 267 | 10 1/2 267 | 2 x 8 1x2 1/2x64 | |

PLAN VIEW OF MOUNT LOCATIONS

TAG: _____
UNIT: _____



SPECIFIED DEFLECTION

| | |
|----------------|-----|
| 1: | 6: |
| 2: | 7: |
| 3: | 8: |
| 4: | 9: |
| 5: | 10: |
| Sets Required: | |