

MASON INDUSTRIES, Inc.

Manufacturers of Vibration Control Products
 NY Mailing Address: PO Box 410, Smithtown, NY 11787
 350 Rabro Drive 2101 W. Crescent Ave., Suite D
 Hauppauge, NY 11788 Anaheim, CA 92801
 631/348-0282 714/535-2727
 FAX 631/348-0279 FAX 714/535-5738
 Info@Mason-Ind.com Info@MasonAnaheim.com

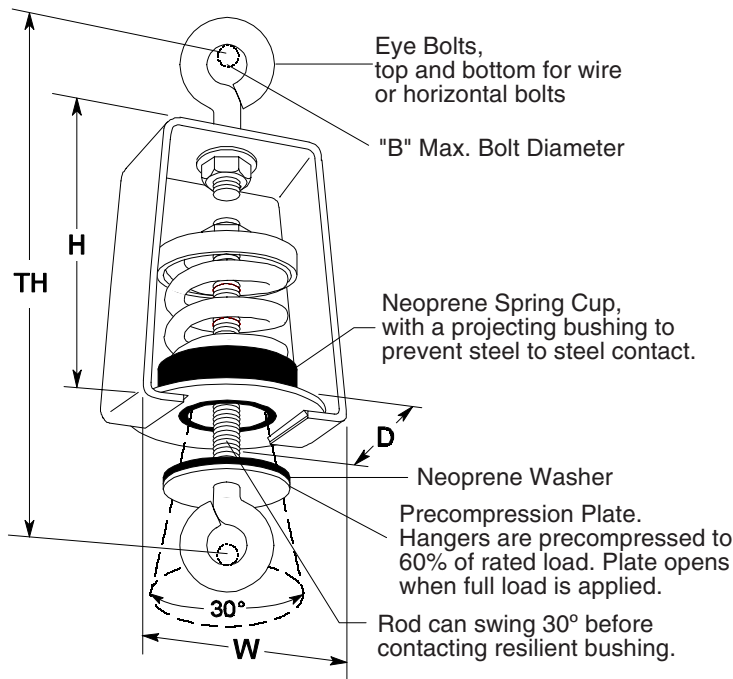
CERTIFIED FOR

JOB NAME :
 CUSTOMER :
 CUSTOMER P.O. :
 MASON M.I. :
 DWG. NO. :

TYPE

W30

1" Deflection
 X, A & B Series
 Ceiling Hangers



TYPE W30 RATINGS

Size	Rated Capacity [lbs]	Rated Defl. [in]	Spring Constant [lbs/in]	Spring Color
W30-X-23	23	1.30	18	Brown
W30-X-33	33	1.10	30	Red
W30-X-54	54	1.20	45	White
W30-X-76	76	1.02	73	Black
W30-X-113	113	1.00	113	Yellow
W30-X-130	130	1.00	130	Purple
W30-X-175	175	1.00	175	Silver
W30-X-210	210	1.00	210	Blue
W30-A-12	12	1.00	12	Red
W30-A-18	18	1.00	18	Gray
W30-A-25	25	1.00	25	Orange
W30-A-41	41	1.18	35	Pink
W30-A-56	56	1.14	49	Black
W30-A-73	73	1.06	69	Tan
W30-A-95	95	1.01	94	Green
W30-B-138	138	1.32	105	White
W30-B-222	222	1.16	191	Blue
W30-B-278	278	1.09	255	Purple
W30-B-336	336	1.00	336	Silver
W30-B-410	410	1.07	385	Black
W30-B-540	540	1.00	540	Yellow

All springs have additional travel to solid equal to 50% of Rated Deflection.

TYPE W30 DIMENSIONS (inches)

Size Range	B	D	H	W	TH
W30-X-23-210	1/4	2 1/2	4 1/4	2 7/8	5 7/8
W30-A-12-25	3/8	2 3/4	5 3/4	3 1/4	7 1/8
W30-A-41-95	3/8	2 3/4	5 3/4	3 1/4	7 1/8
W30-B-138-540	1/2	4	7 1/4	4 3/4	8 1/2

TH - Total Height between Bolt Centers as installed

CERTIFICATION DATA

TAG : _____

UNIT : _____

PLAN VIEW OF HANGER LOCATION:



_____ inch SPECIFIED DEFLECTION

1 :	6 :
2 :	7 :
3 :	8 :
4 :	9 :
5 :	10 :
Material for One Set : Sets Required	

DWN : _____ CHKD : _____ DATE : _____

DWG NO. : _____