



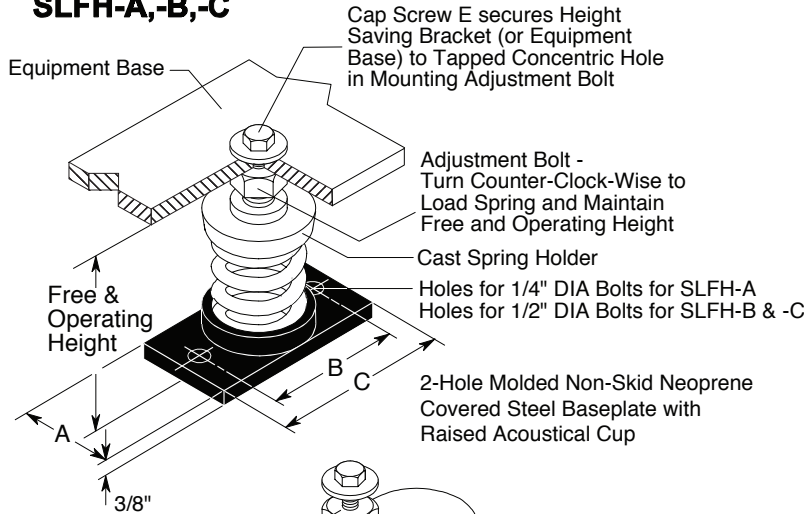
# MASON INDUSTRIES, Inc.

Manufacturers of Vibration Control Products  
 350 Rabro Drive 2101 W. Crescent Ave., Suite D  
 Hauppauge, NY 11788 Anaheim, CA 92801  
 631/348-0282 714/535-2727  
 FAX 631/348-0279 FAX 714/535-5738  
 Info@Mason-Ind.com Info@MasonAnaheim.com  
 www.Mason-Ind.com

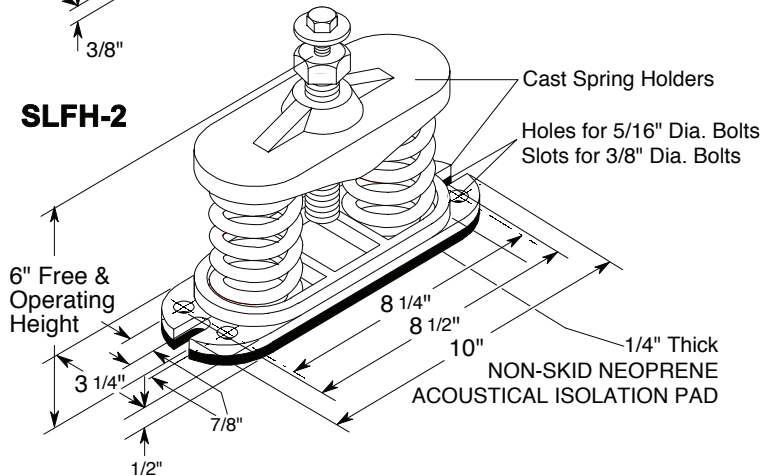
JOB NAME \_\_\_\_\_  
 CUSTOMER \_\_\_\_\_  
 CUSTOMER P.O. \_\_\_\_\_  
 MASON M.I. \_\_\_\_\_  
 DWG. NO. \_\_\_\_\_

TYPE  
**SLFH**  
 1" Deflection  
 A, B, C & 2  
 Series Mountings

## SLFH-A,-B,-C



## SLFH-2



## TYPE SLFH RATINGS

Size	Rated Capacity (lbs)	Rated Defl. (in)	Mount Constant (lbs/in)	Spring Color/Stripe
SLFH-A-45	45	1.60	28	Blue
SLFH-A-75	75	1.50	50	Orange
SLFH-A-125	125	1.33	94	Brown
SLFH-A-200	200	1.15	174	Black
SLFH-A-310	310	1.00	310	Yellow
SLFH-A-400	400	1.00	400	Green
SLFH-A-510	510	1.00	510	Red
SLFH-A-625	625	1.00	625	White
SLFH-B-65	65	2.10	31	Brown
SLFH-B-85	85	2.10	40	White/Black
SLFH-B-115	115	2.00	57	Silver
SLFH-B-150	150	2.00	75	Orange
SLFH-B-280	280	1.60	174	Green
SLFH-B-450	450	1.31	344	Red
SLFH-B-750	750	1.12	670	White
SLFH-B-1000	1000	1.00	1000	Blue
SLFH-C-1000	1000	1.00	1000	Black
SLFH-C-1350	1350	1.00	1350	Yellow
SLFH-C-1750	1750	1.00	1750	Black*
SLFH-C-2100	2100	1.00	2100	Yellow*
SLFH-C-2385	2385	1.00	2385	Yellow**
SLFH-C-2650	2650	1.00	2650	Red*
SLFH-C-2935	2935	1.00	2935	Red**
SLFH-2-2700	2700	1.00	2700	Yellow
SLFH-2-3500	3500	1.00	3500	Black
SLFH-2-4200	4200	1.00	4200	Yellow*
SLFH-2-4770	4770	1.00	4770	Yellow**

\* with RED core spring \*\* with GREEN core spring  
 All springs have additional travel to solid equal to 50% of the Rated Deflection. Solid Spring Height = Free Height minus 1.5 times the Rated Deflection.

## TYPE SLFH DIMENSIONS (inches)

Size	Free & Oper. Height	A	B	C	Locking Cap Screw
SLFH-A-45-400 <sup>♦</sup>	4 1/4	2 1/4	3	3 5/8	3/8 x 1
SLFH-A-510-625	4 5/8	2 1/4	3	3 5/8	3/8 x 1
SLFH-B	6	2 3/4	4 1/8	5 1/4	1/2 x 1 1/4
SLFH-C	6	3	4 3/4	6	1/2 x 1 1/4
SLFH-2	-	-	-	-	1/2 x 1 1/4

♦ If using 45 thru 400 with 510 or 625, Free & Operating Height is 4 5/8".

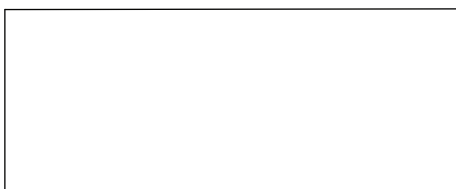
## SPRING DATA

Spring OD	Free HT	Ratio K <sub>x</sub> /K <sub>y</sub>	Ratio OD/OH
1 3/4	3	0.70-0.90	0.88-1.25
1 3/4	31/8-33/8	0.50-0.60	0.74-0.82
2 3/8	4	0.70-0.90	0.80-1.25
2 3/8	4 1/8	0.90-1.00	0.92-0.94
2 7/8	4 1/8	0.90-1.00	0.92-0.94

Multiple spring Mounts have C-size springs.  
 SLFH-2 indicates 2 springs.

## PLAN VIEW OF MOUNT LOCATIONS

TAG : \_\_\_\_\_  
 UNIT : \_\_\_\_\_



## \_\_\_\_\_ inch SPECIFIED DEFLECTION

1 :	6 :
2 :	7 :
3 :	8 :
4 :	9 :
5 :	10 :

Material for One Set : \_\_\_\_\_ Sets Required



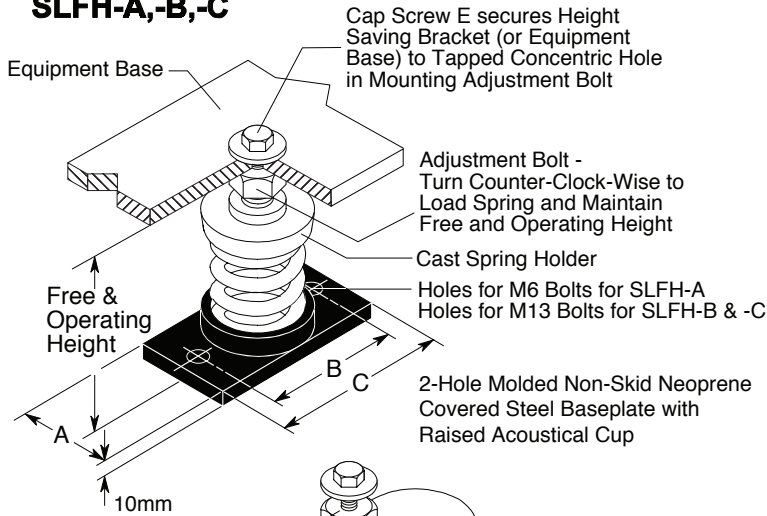
# MASON INDUSTRIES, Inc.

Manufacturers of Vibration Control Products  
 350 Rabro Drive 2101 W. Crescent Ave., Suite D  
 Hauppauge, NY 11788 Anaheim, CA 92801  
 631/348-0282 714/535-2727  
 FAX 631/348-0279 FAX 714/535-5738  
 Info@Mason-Ind.com Info@MasonAnaheim.com  
 www.Mason-Ind.com

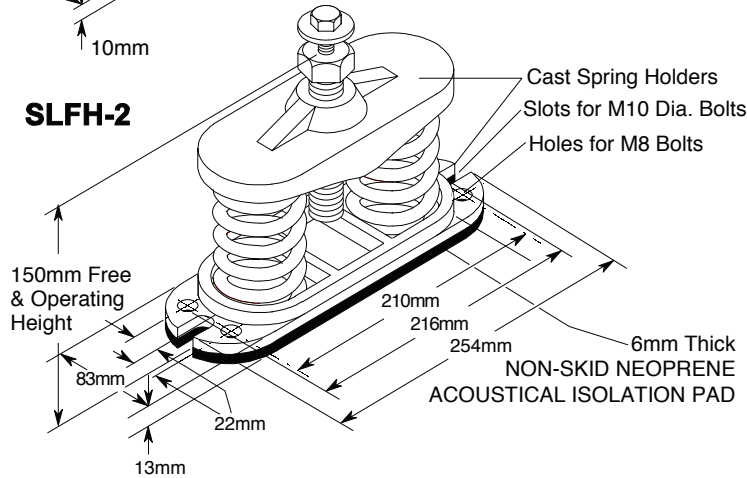
JOB NAME \_\_\_\_\_  
 CUSTOMER \_\_\_\_\_  
 CUSTOMER P.O. \_\_\_\_\_  
 MASON M.I. \_\_\_\_\_  
 DWG. NO. \_\_\_\_\_

TYPE  
**SLFH**  
 25mm Deflection  
 A, B, C & 2  
 Series Mountings

## SLFH-A,-B,-C



## SLFH-2



## TYPE SLFH RATINGS

Size	Rated Capacity (kg)	Rated Defl. (mm)	Mount Constant (kg/mm)	Spring Color/Stripe
SLFH-A-45	20	41	0.5	Blue
SLFH-A-75	34	38	0.9	Orange
SLFH-A-125	57	34	1.7	Brown
SLFH-A-200	91	29	3.1	Black
SLFH-A-310	141	25	5.5	Yellow
SLFH-A-400	181	25	7.1	Green
SLFH-A-510	231	25	9.1	Red
SLFH-A-625	283	25	11.2	White
SLFH-B-65	29	53	0.6	Brown
SLFH-B-85	39	53	0.7	White/Black
SLFH-B-115	52	51	1.0	Silver
SLFH-B-150	68	51	1.3	Orange
SLFH-B-280	127	41	3.1	Green
SLFH-B-450	204	33	6.1	Red
SLFH-B-750	340	28	12.0	White
SLFH-B-1000	454	25	17.9	Blue
SLFH-C-1000	454	25	17.9	Black
SLFH-C-1350	612	25	24.1	Yellow
SLFH-C-1750	794	25	31.3	Black*
SLFH-C-2100	953	25	37.5	Yellow*
SLFH-C-2385	1082	25	42.6	Yellow**
SLFH-C-2650	1202	25	47.3	Red*
SLFH-C-2935	1331	25	52.4	Red**
SLFH-2-2700	1225	25	48.2	Yellow
SLFH-2-3500	1588	25	62.5	Black
SLFH-2-4200	1905	25	75.0	Yellow*
SLFH-2-4770	2164	25	85.2	Yellow**

\* with RED core spring \*\* with GREEN core spring  
 All springs have additional travel to solid equal to 50% of the Rated Deflection. Solid Spring Height = Free Height minus 1.5 times the Rated Deflection.

## TYPE SLFH DIMENSIONS

Size	Free & Oper. Height	A	B	C	Locking Cap Screw
SLFH-A-45-400 <sup>♦</sup>	108	57	76	92	3/8 x 1
SLFH-A-510-625	117	57	76	92	3/8 x 1
SLFH-B	150	70	105	133	1/2 x 1 1/4
SLFH-C	150	76	121	152	1/2 x 1 1/4
SLFH-2	-	-	-	-	1/2 x 1 1/4

♦ If using 45 thru 400 with 510 or 625, Free & Operating Height is 118.

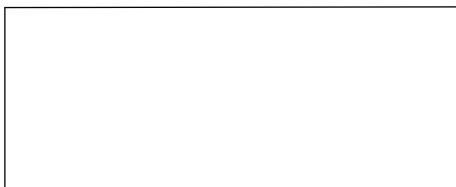
## SPRING DATA

Spring OD	Free HT	Ratio K <sub>x</sub> /K <sub>y</sub>	Ratio OD/OH
45	76	0.70-0.90	0.88-1.25
45	79-86	0.50-0.60	0.74-0.82
60	102	0.70-0.90	0.80-1.25
60	105	0.90-1.00	0.92-0.94
73	105	0.90-1.00	0.92-0.94

Multiple spring Mounts have C-size springs. SLFH-2 indicates 2 springs.

## PLAN VIEW OF MOUNT LOCATIONS

TAG : \_\_\_\_\_  
 UNIT : \_\_\_\_\_



## \_\_\_\_\_ inch SPECIFIED DEFLECTION

1 :	6 :
2 :	7 :
3 :	8 :
4 :	9 :
5 :	10 :

Material for One Set : \_\_\_\_\_ Sets Required