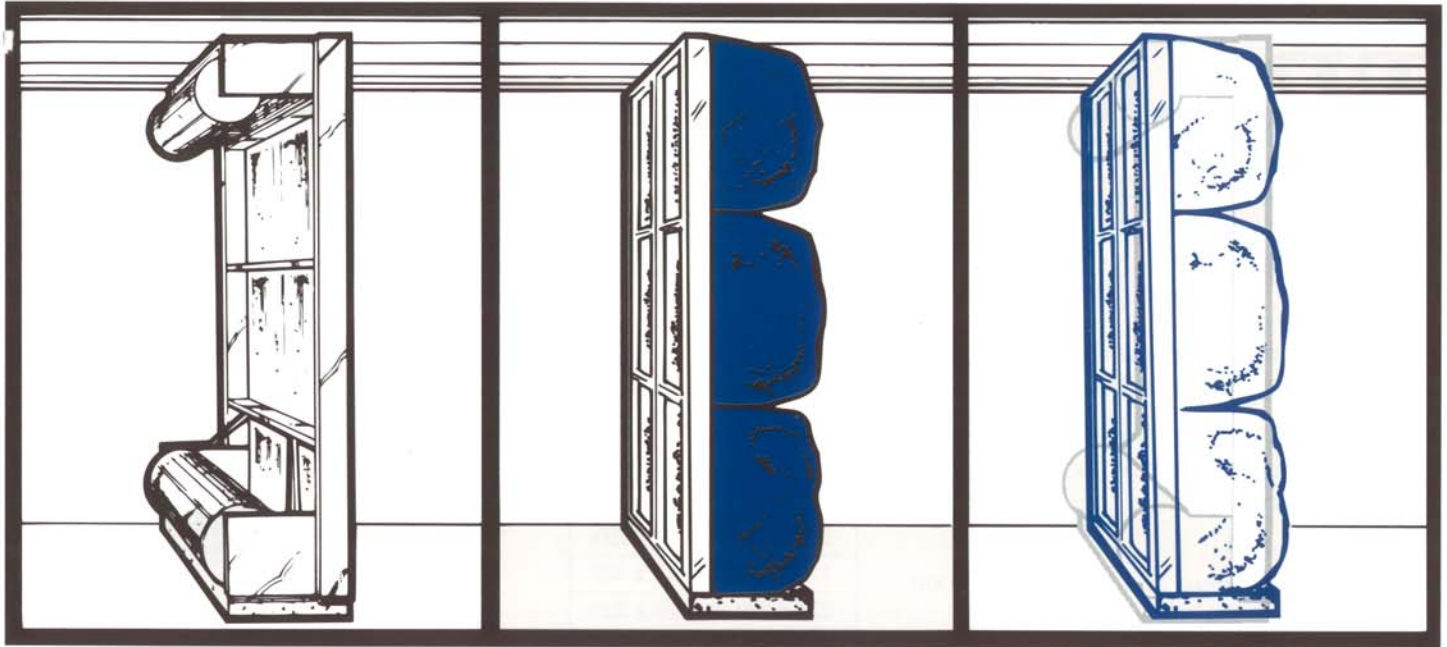


INNOVATIONS IN AIR FILTRATION



COMPARE! *THE TRI-CUBE! A SIMPLE SOLUTION, COMPARE AND SEE.*

YESTERDAY: There was a need for a long life filter, capable of handling high volumes of air and holding up under moisture and heavy dirt loads. Solution? Automatic roll filters.

TODAY: There is the same need, but a better solution! Tri-Dek Cube filters, solves the above need and more. No moving parts, no motors, chains, clutches, timers or pressure sensing devices are involved.

- No wasted media due to timer or sensor malfunction.
- No oily, prickly glass media to carry up a ladder.
- No damaged roll spools and drive lock devices.

TOMORROW: Endless Trouble Free Air Filtration with Tri-Dek Cube filters.

HEADING	AUTO ROLL	TRI-CUBE
SIZE: (ABOVE)	4' W x 6' H x 24" D	4' W x 6' H x 23" D
EQUIPMENT COST		
EFFICIENCY - ASHRAE	10-15%	30-45%
LABOR		
MAINTENANCE FREQUENCY	MONTHLY	6-12 MONTHS
YEARLY MEDIA COST		
ELECTRICAL CONNECTION	YES	NO
MOVING PARTS	YES	NO
EQUIPMENT REPAIR	YES	NO

INSTALLATION: The Tri-Cube can easily be retrofitted to fit the same area used by the automatic roll machine. Your own maintenance staff or an outside contractor can easily accomplish the conversion in less than a day, using "L" type Filter Holding Frames detailed on reverse side.

TRI DIM
FILTER CORPORATION

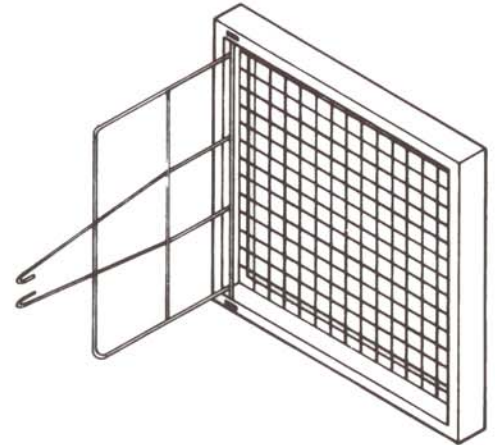
TRI-MET HOLDING FRAMES

Filter Pad Holding Frames

TYPE TMZ

- Service frame — designed for commercial and industrial applications
- Designed to hold filter pads.
- Hinged, galvanized wire door designed to retain filter pads
- Low initial cost
- Non-standard sizes available up to 2,000 sq. inches

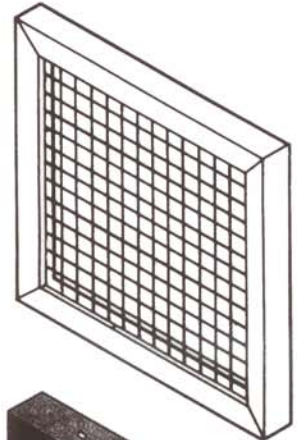
STANDARD SIZES	
1" THICK	2" THICK
15½ x 19½	15½ x 19½
15½ x 24½	15½ x 24½
19½ x 19½	19½ x 19½
19½ x 24½	19½ x 24½
19½ x 23½	19½ x 23½
11½ x 23½	11½ x 23½
23½ x 23½	23½ x 23½



TYPE TMT

- Service frame — designed for commercial and industrial applications
- Designed to hold filter pads
- Tuck-in design holds filter pads in place
- Low initial cost
- Non-standard sizes available up to 2,000 sq. inches

STANDARD SIZES	
1" THICK	2" THICK
15½ x 19½	15½ x 19½
15½ x 24½	15½ x 24½
19½ x 19½	19½ x 19½
19½ x 24½	19½ x 24½
19½ x 23½	19½ x 23½
11½ x 23½	11½ x 23½
23½ x 23½	23½ x 23½



FILTER HOLDING FRAMES, "L" TYPE

- Modular design for easy installation into filter banks
- 16 Gauge roll formed galvanized steel
- Pre-punched holes in sides mate precisely for quick assembly by riveting or bolting
- Available with gasketing on inside flanges
- Strong well designed filter clips for all sizes

ACTUAL DEPTH	STANDARD SIZES AVAILABLE					
	ACTUAL DIMENSIONS WIDTH (INCHES) X HEIGHT (INCHES)					
2"	12 x 24	24 x 24	16 x 20	16 x 25	20 x 20	20 x 25
3"	12 x 24	24 x 24	16 x 20	16 x 25	20 x 20	20 x 25
4"	12 x 24	24 x 24	16 x 20	16 x 25	20 x 20	20 x 25
6"	12 x 24	24 x 24	16 x 20	16 x 25	20 x 20	20 x 25

