



# DIVERSITECH

air pollution solutions

Model XA-6H10  
10' Hanging Arm



Model XA-6S10  
10' Standing Arm



## EXTRACTOR™

### Capture Arms, Blowers and Extension Booms

Diversi-Tech's Capture Arm is designed for permanent installation which removes fumes, smoke and other fine grain dust from the work area.

The arm can work independently using a single fan, grouped together and ducted to a centralized ventilation system, or mounted on a portable fume extractor. The structure of each arm includes a pick-up hood, flexible hoses and a swivel mounting base.

The easy rotational movement of the arm provides a safe and more productive environment for workers.

#### Features:

- Smooth, low-friction movement
- 6" diameter tubes for high capture velocity
- Wall mounted, column mounted or portable
- Externally articulated, gas spring loaded
- Includes hood, butterfly damper
- OSHA compliant

#### Options:

- Motors & blowers (1500 to 2500 CFM)
- Hood mounted light kit
- Wall mounting bracket
- Extension booms (5 FT. or 10 FT.)





# DIVERSITECH

air pollution solutions

eTRACTOR™ Capture Arms are perfect for removing welding smoke and fumes.



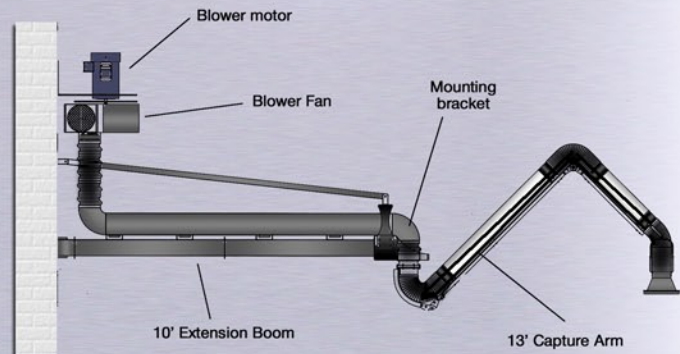
Displayed with optional  
FRED JR Portable Fume Extractor  
(1200 CFM, 110v)



## Solidly built & extra smooth...

Capture smoke, fumes, or dust from almost any welding, grinding, cutting, or material finishing application right where they are created using an eTRACTOR Capture Arm from DiversiTech.

These capture arms use a unique parallelogram design and low-friction joints to offer smooth, effort-free, positioning to your smoke, fume, or dust source. Keeping all moving parts outside the dirty air stream makes the eTRACTOR Arm practically maintenance free.



Optional Light Kit Available



Die-Cast Construction

### DIVERSITECH

2500 Alphonse Gariepy  
Montreal, QC, Canada  
H8T 3M2

### DIVERSITECH

2330 State Road 11  
Mooers, NY  
12958

Toll Free: 1-800-361-3733

Fax: 1-514-631-9480

info@diversitech.ca