



Fred 02
with two 10' capture arms

Fred 02

Self Cleaning, Dual Arm Fume Extractor

This professional grade fume extractor is the industry standard for eliminating smoke, dust and other unbreathables from the air. A 2400 CFM, 5HP blower ensures a high face-velocity across two independently movable capture arms, removing particulate as small as 0.5 micron with our standard MERV 15 rated Nanofiber filter.

Our patented Injection Self-Cleaning System (ICS-360) reduces the FRED-02's total cost of ownership by extending filter life expectancy, improving aggregate filter efficiency, and making routine service faster & easier.

Benefits:

- Compact, portable, and easy to operate
- Automatic filter cleaning makes service easy
- Capture-at-source for cleaner air
- Complies with OSHA guidelines for controlling weld fumes

Features:

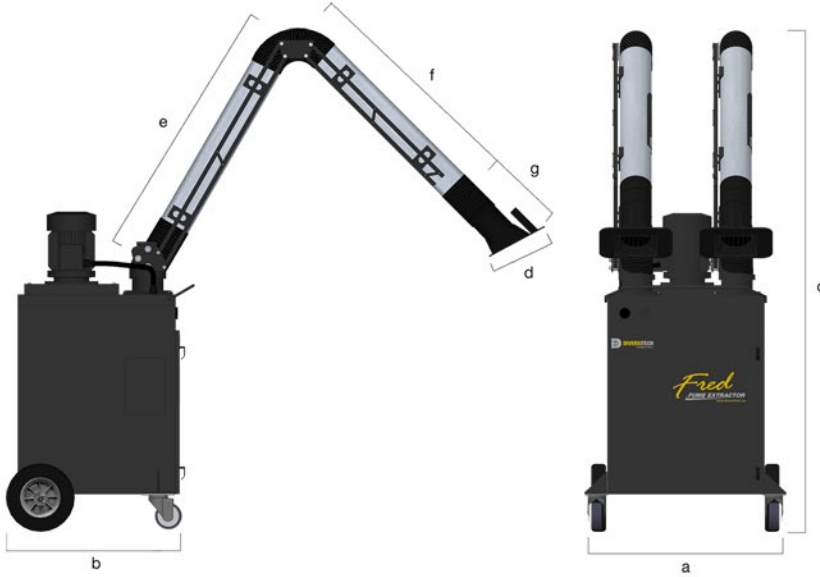
- Two 10' externally articulated extraction arms
- ICS-360 injection self-cleaning system
- 22" easy-to-service Nanofiber filter (MERV 15)
- Rotary starter with castors

Options:

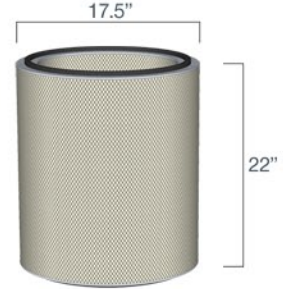
- Flexible externally articulated capture arm 6.5', 10', or 13'
- Automatic self-positioning, Fume Tracker™ capture arm
- Odor Absorption Kits
- Minihelic Gauge
- Spunbond Polyester Filter Cartridge (washable)
- After-filter module, with HEPA Filter
- Hood mounted LED light kit



WELDING • GRINDING • SANDING • DEBURRING



Filter Specifications



| Part # | Description | Filter Area (sq. ft.) | Filter Efficiency |
|-----------------|----------------------|-----------------------|---------------------|
| Primary Filters | | | |
| S-IA-0003 | Paper-Pleated Filter | 182 | 99.8% @ 0.5 micron |
| S-IA-0003N | Nano-Fiber Filter | 187 | 99.99% @ 0.5 micron |
| After Filters | | | |
| S-IA-0011 | HEPA Filter | --- | 99.97% @ 0.3 micron |

ICS-360 Injection Cleaning System Specifications

Air Input: 80 PSI | Clean, dry, shop air
Cleaning Efficiency: 80% + with ICS-360

Technical Specifications

| Model | Motor (H.P.) | Power | | | | | Airflow (CFM) | Cord Length (in.) | Arm Length (in.) |
|----------------------------------------------------------------------------|--------------|------------|--------------|--------------|--------------|--------------|---------------|-------------------|------------------|
| | | Phase (hz) | @120V (amps) | @230V (amps) | @460V (amps) | @575V (amps) | | | |
| FRED-02 Fume Collector with two externally articulated manual capture arms | | | | | | | | | |
| FRED-02 | 5.0 | 3P / 60Hz | --- | 13.0 | 6.5 | 5.0 | 1600 | --- | 10' or 13' |

Dimensions

| Model | Arm Length (ft.) | Arm Diameter (in.) | Dimensions (in.) | | | | | | |
|---------------------------------------------------------|------------------|--------------------|------------------|------------|------------|-----|-----|-----|------|
| | | | Width [a] | Height [C] | Length [b] | [d] | [e] | [f] | [g] |
| FRED-02 with externally articulated manual capture arms | | | | | | | | | |
| FRED-02 | 10 (x2) | 6 (x2) | 32.5 | 115 | 33 | 13 | 60 | 34 | 18.5 |
| | 13 (x2) | 6 (x2) | 32.5 | 128 | 33 | 13 | 60 | 60 | 18.5 |

DIVERSITECH
 2500 Alphonse Gariepy
 Montreal, QC, Canada
 H8T 3M2

DIVERSITECH
 1 International Plaza, Suite 550
 Philadelphia, Pennsylvania
 19113

Toll Free: 1-800-361-3733
 Fax: 1-514-631-9480
 info@diversitech.ca