



Fred ECO

Wall Mounted Smoke, Dust & Fume Extractor

The FRED-ECO offers a simple, affordable, and easy-to-install fume extraction & filtration kit for everyday applications. The 10' flexible capture arm on the Fred ECO is externally articulated, making operator repositioning & maintenance easy.

The kit includes a 120V rotary motor starter that can be conveniently mounted close to the operator's working area. Once properly positioned, smoke, dust, and other airborne contaminants are safely captured before reaching the operator's respiratory zone. For applications where the extraction arm needs to be mounted further away from the blower, the remote mounting kit is a popular option.



FRED ECO with
10' hanging arm

Benefits:

- Easy-to-install, easy-to-operate
- Capture-at-source for Cleaner Air
- Complies with OSHA guidelines for controlling weld fumes

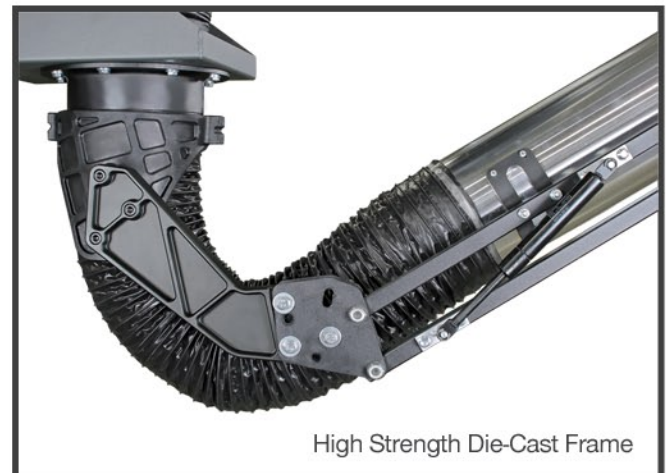
Features:

- 1.5HP TEFC, 1200 CFM blower with a pre-installed bracket
- 26" re-useable cartridge filter (MERV 15)
- 10' x 6" diameter externally articulated extractor arm
- Rotary Starter [120 VAC] with 15' Power Cord included

Options:

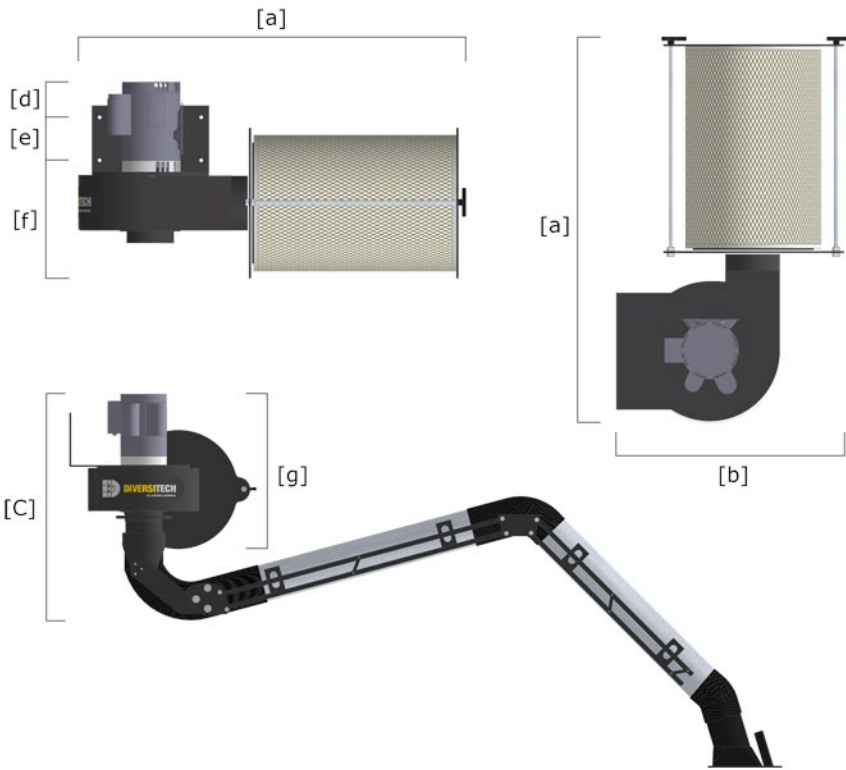
- Flexible externally articulated capture arm 6.5', 10', or 13'
- Automatic self-positioning, Fume Tracker™ capture arm
- 3.0 HP 1800 CFM High-Static Motor [230/460/575V 3PH]
- Extension boom, 5' or 10'
- Spunbond Polyester Filter Cartridge (washable)
- Hood mounted LED light kit

The high-efficiency 26" filter collects 99.8% of all particles 0.5 microns and larger before returning air to the facility. By capturing, cleaning, and recycling contaminated air, the FRED-ECO works as a heat recovery device, helping you keep energy costs down.

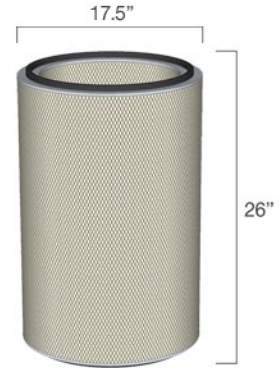


High Strength Die-Cast Frame

WELDING • GRINDING • SANDING • DEBURRING



Filter Specifications



Part #	Description	Filter Area (sq. ft.)	Filter Efficiency
Primary Filters			
S-ECO-0001	Paper-Pleated Filter	320	99.8% @ 0.5 micron
S-ECO-0002	Nano-Fiber Filter	320	99.99% @ 0.5 micron

Technical Specifications

Model	Motor (H.P.)	Phase (hz)	Power				Airflow (CFM)	Cord Length (ft.)	Arm Length (ft.)
			@120V (amps)	@230V (amps)	@460V (amps)	@575V (amps)			
Fume Collector Kits									
FRED-ECO	1.5	1P / 60Hz	13.2	---	---	---	1200	15	10/13
	3.0	3P / 60Hz	---	7.1	3.7	3.2	1800	---	10/13

Dimensions

Model	Arm Length (ft.)	Arm Diameter (in.)	Dimensions (in)						
			Width [a]	Height [C]	Length [b]	[d]	[e]	[f]	[g]
Fume Collector Kits									
FRED-ECO	10	6	25" + 26" filter	35	27	4	5.5	11.5	21
	13	6	25" + 26" filter	35	27	4	5.5	11.5	21

DIVERSITECH
 2500 Alphonse Gariepy
 Montreal, QC, Canada
 H8T 3M2

DIVERSITECH
 1 International Plaza, Suite 550
 Philadelphia, Pennsylvania
 19113

Toll Free: 1-800-361-3733
 Fax: 1-514-631-9480
 info@diversitech.ca