



Fred JR
with 10' capture arm

Fred JR

Portable Smoke, Dust & Fume Extractor

Keeping your worker's breathing zone safe requires a capture-at-source extractor they will actually use. Designed to be moved and positioned effortlessly, the Fred JR excels at removing weld fumes, dusts, and other airborne contaminants as small as 0.5 micron with our MERV 15 rated Nanofiber filter.

The capture arm's external articulation is key to easy positioning, as smoke and dust passes through the machine without contacting the swivel and pivot points of the arm. The high suction and capture velocity developed by the Fred JR allows operators to capture and filter dust and fumes further away from the hood than competitive models.

Benefits:

- Compact, portable, 120 volt, single phase
- Capture-at-source for cleaner air
- Complies with OSHA guidelines for controlling weld fumes

Features:

- Flexible 10' externally articulated capture arm
- 1.5HP TEFC motor producing 1200 CFM at the hood.
- 26" easy-to-service Nanofiber filter (MERV 15)
- Rotary starter with 15' power cord & castors

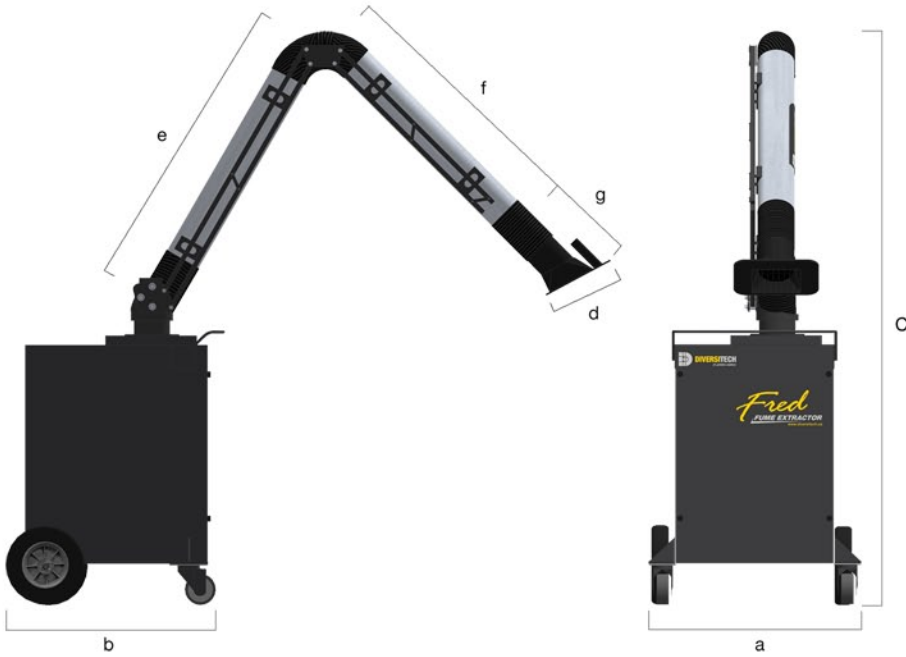
Options

- Flexible externally articulated capture arm 6.5', 10', or 13'
- Automatic self-positioning, Fume Tracker™ capture arm
- 3.0 HP 1800 CFM High-Static Motor [230/460/575V 3PH]
- Odor Absorption Kits
- Minihelic Gauge
- Spunbond Polyester Filter Cartridge (washable)
- After-filter module, with HEPA Filter
- Hood mounted LED light kit

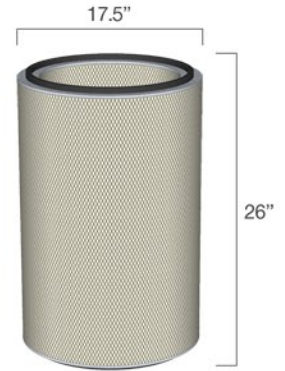


Fred JR

WELDING • GRINDING • SANDING • DEBURRING



Filter Specifications



Part #	Description	Filter Area (sq. ft.)	Filter Efficiency
Primary Filters			
S-FR-0005	Paper-Pleated Filter	320	99.8% @ 0.5 micron
S-FR-0005N	Nano-Fiber Filter	320	99.99% @ 0.5 micron
After Filters			
S-FR-0009	HEPA Filter	---	99.97% @ 0.3 micron

Technical Specifications

Model	Motor (H.P.)	Phase (hz)	Power				Airflow (CFM)	Cord Length (ft.)	Arm Length (ft.)
			@120V (amps)	@230V (amps)	@460V (amps)	@575V (amps)			
FRED-JR with externally articulated manual capture arm									
FRED-JR	1.5	1P / 60Hz	13.2	---	---	---	1200	15	10/13
	3.0	3P / 60Hz	---	7.1	3.7	3.2	1800	---	10/13

Dimensions

Model	Arm Length (ft.)	Arm Diameter (in.)	Dimensions (in.)						
			Width [a]	Height [C]	Length [b]	[d]	[e]	[f]	[g]
FRED-JR with externally articulated manual capture arm									
FRED-JR	10	6	32.5	115	33	13	60	34	18.5
	13	6	32.5	128	33	13	60	60	18.5

DIVERSITECH
 2500 Alphonse Gariepy
 Montreal, QC, Canada
 H8T 3M2

DIVERSITECH
 1 International Plaza, Suite 550
 Philadelphia, Pennsylvania
 19113

Toll Free: 1-800-361-3733
 Fax: 1-514-631-9480
 info@diversitech.ca