

# Macurco™ Carbon Monoxide Detector CM-6

**MACURCO**  
GAS DETECTION



## Detector, Controller and Transducer

### Carbon Monoxide Detection and Control

The Macurco CM-6 is a low voltage, dual relay Carbon Monoxide (CO) detector, controller and transducer. The CM-6 has selectable 4-20 mA output, buzzer and digital display options. It is an electronic detection system used to measure the concentration of CO and provide feedback and automatic exhaust fan or valve control to help reduce CO concentrations in parking garages, maintenance facilities or other commercial applications. The CM-6 is a low level meter capable of displaying from 0-200 ppm of Carbon monoxide.

### Selectable options include:

- Fan relay actuation: selectable at 15, 25, 35 (default), 50 or 100 ppm CO
- Output: Fan relay, Alarm relay and 4-20mA current loop
- Controls: Digital display (0-200 ppm), buzzer, fan delay, fan minimum runtime

### Installation

- Mounts on a standard 4" x 4" electrical box
- 5 A SPDT fan relay controls valves, louvers or exhaust fans
- 0.5 A N.O. or N.C alarm relay connects to warning devices or control panels
- 4-20mA current loop - compatible with the Macurco DVP-120 Control Panel
- Factory calibrated

### Other Features

- Supervised system design: detector problem will cause the fan & alarm relay to activate
- Optional calibration kit allows the CM-6 to be field tested and calibrated
- ETL Listed to UL 61010-1, CAN/CSA C22.2 No 61010-1, LADBS Approved



## CM-6 Specifications

- Power: 3 W (max) from 12 to 24 VAC or 12 to 32 VDC
- Current @ 24 VDC: 75 mA in alarm, 50 mA fan relay on and 23 mA stand by
- Shipping Weight: 1 pound (0.45 kg)
- Size: 4 1/2 x 4 x 2 1/8 in. (11.4 X 10.2 X 5.4 cm)
- Color: Dark gray
- Connections: plugs/terminals
- Mounting Box: (not included) 4x4 electrical
- Fan Relay: 5 A, 240 VAC, pilot duty, SPDT, latching or non-latching
- Fan Relay Actuation: selectable at “dIS” (disabled), 15 ppm, 25 ppm, 35 ppm (default), 50 ppm or 100 ppm
- Fan Delay Settings: 0, 1, 3 (default), 5 and 10 minutes
- Fan Relay Minimum Runtime Settings: 0 (default), 3, 5, 10 or 15 minutes
- Alarm Relay: 0.5A 120 V, 60 VA
- Alarm Relay Actuation: selectable N.O. default or N.C.
- Alarm Relay Settings: dIS, 50 ppm, 100 ppm, 150 ppm and 200 ppm (default)
- Current Loop: 4-20 mA for 0-200 ppm
- Operating Environment: 0°F to 125° F (-18°C to 52°C), 10 to 90% RH non-condensing

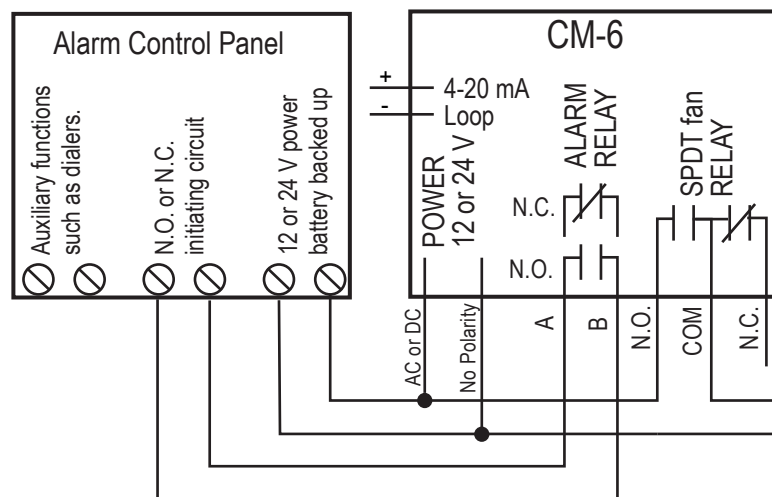


CM-6 Rear View

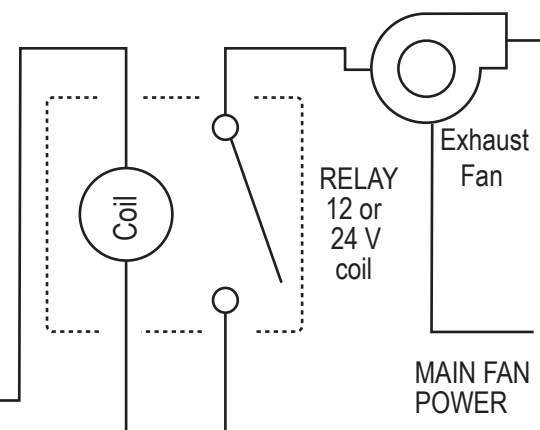
### Location

The unit typically covers about 5,000 sq.ft. (465 square meters) in a parking garage or similar application and 900 sq.ft. (84 square meters) in a residential or office type application. The coverage depends on air movement within the room or facility. Do not mount the CM-6 in a corner. The detector may be installed on either a ceiling or a wall. If installed on a peaked, gabled, or sloped ceiling, it should be located about 3 feet (1 meter) from the highest point. Normally, the unit is mounted about 5 feet (1.5m) above the floor (normal breathing zone), in a central area where air movement is generally good. Additional detectors may be needed near any areas where people work or where the air is stagnant.

### TYPICAL CONNECTION OF CM-6



### TYPICAL COVERAGE 5,000 SQUARE FEET



Made in the U.S.A. with US and imported materials

© Aerionics 2015. All rights reserved.  
Macurco is a trademark of Aerionics, Inc.

