



TRT... / TDT... / TLT... is a temperature transmitter series for measuring temperature in HVAC facilities.

- * Room, wall, duct or immersion version available
- * Accuracy +/- 0,5°C at 20°C
- * Output signal 0...10 V DC or 4...20 mA
- * IP30 and IP65
- * Good long term stability
- * Supply voltage 24 V AC or 15...35 V DC

Function

The temperature transmitters have an element which gives a signal that is proportional to the temperature. The measuring signal is converted by the built-in electronics to output signal, 0...10 V or 4...20 mA.

Mounting accessories

When mounting a duct- or wall-transmitter in contaminated environments the membrane filter should be exchanged for an optional filter with higher specifications.

- Sintered brass filter (HA01002)
- Sintered stainless steel filter (HA01003)
- Teflon filter (HA01004)
- Metal filter (HA01005)

Supply voltage

The transmitter can be supplied by either 24 V AC or 15...35 V DC (0...10 V models) or 20...35 V DC (4...20 mA models). The transmitter has automatic adaptation to the connected voltage.

Models

TRT	Temperature transmitter for room-mounting	0...10 V IP30
TRT-420	Temperature transmitter for room-mounting	4...20 mA, IP30
TRT50	Temperature transmitter for wall-mounting	0...10V, IP65
TRT50-420	Temperature transmitter for wall-mounting	4...20 mA, IP65
TDT200	Temperature transmitter for duct-mounting	0...10 V IP65
TDT200-420	Temperature transmitter for duct-mounting	4...20 mA IP65
TLT130	Temperature transmitter for immersion-mounting	0...10 V IP65
TLT130-420	Temperature transmitter for immersion-mounting	4...20 mA IP65

Technical data

Supply voltage	24 V AC +/-20% or 15...35 V DC (0...10 V output) 20...35 V DC (4...20 mA output)
Ambient temperature	-5...+50 C°
Connection	Screw terminals max. 1.5 mm
Degree of protection	IP65, (TRT... IP30)
	These products conform with the requirements of European EMC standards CENELEC EN 50081-1 and EN 50082-1 and carry the CE mark.

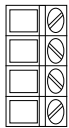


Sensor

Sensor element	KF6645 Class DIN B IEC 751
Working range	0...+50 C°, (TLT130... 0...+100 C°)
Output signal	0...10 V DC proportional to the working range 0...+50°C, (TLT130... 0...+100 C°) 4...20 mA ...420-versions
Accuracy	+/- 0.5°C (0...10 V) +/- 0.8°C (4...20 mA)
Load impedance	Minimum 10 Ohm, (...420 models maximum 500 Ohm)

Wiring and dimensions

TRT, TRT50, TDT200, TLT130



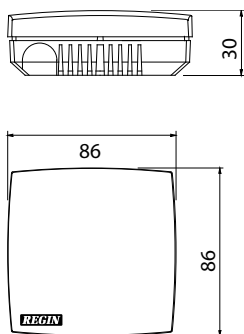
- 1 Supply voltage +
- 2 System neutral
- 3
- 4 Output sign.Temp. 0...10V DC

TRT-420, TRT50-420, TDT200-420, TLT130-420

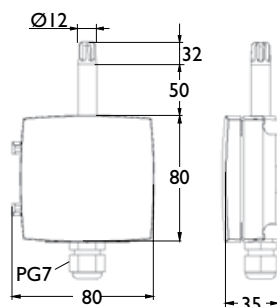


- 1 Supply voltage +
- 2
- 3 Output Temp. 4...20mA

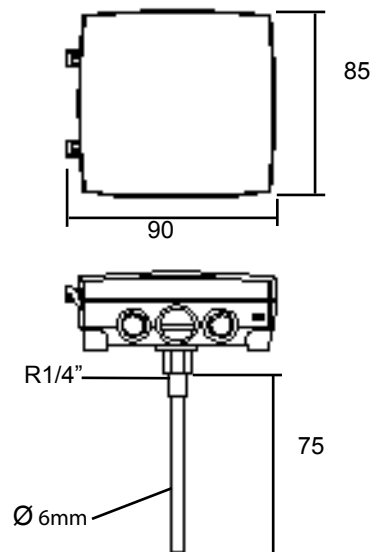
TRT / TRT-420



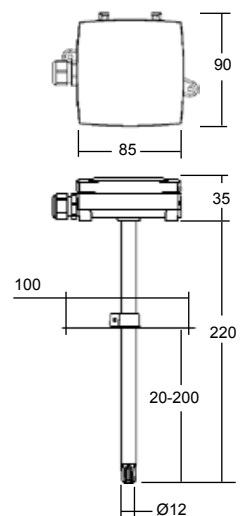
TRT50 / TRT50-420



TLT130 / TLT130-420



TDT200 / TDT200-420



Head Office Sweden
 Phone: +46 31 720 02 00
 Web: www.regin.se
 Mail: info@regin.se

Sales Offices
 France: +33 14 171 46 46
 Hong Kong: +852 24 07 02 81
 Singapore: +65 67 47 82 33
 Germany: +49 30 77 99 40

REGIN

THE CHALLENGER IN BUILDING AUTOMATION